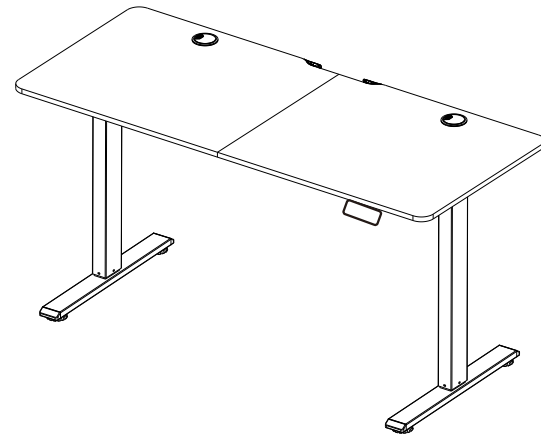
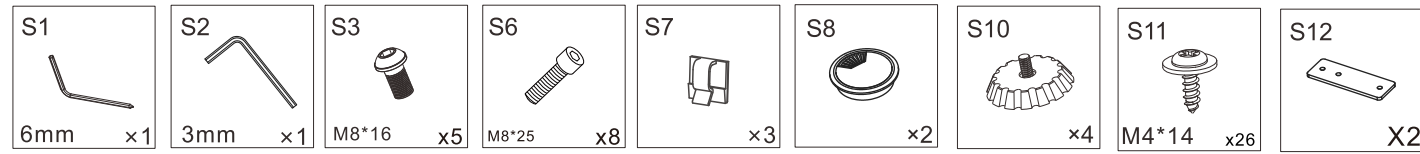


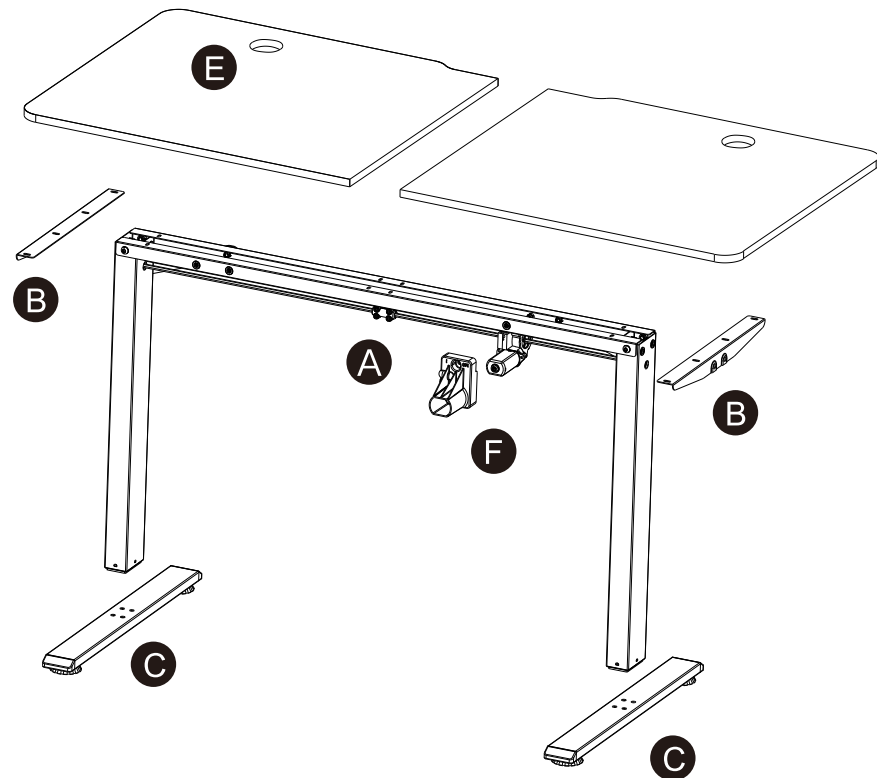
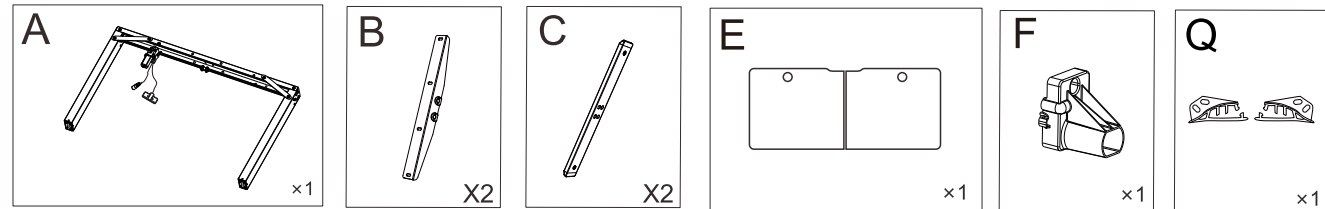
Assembly Instruction



• SCREW ACCESSORIES

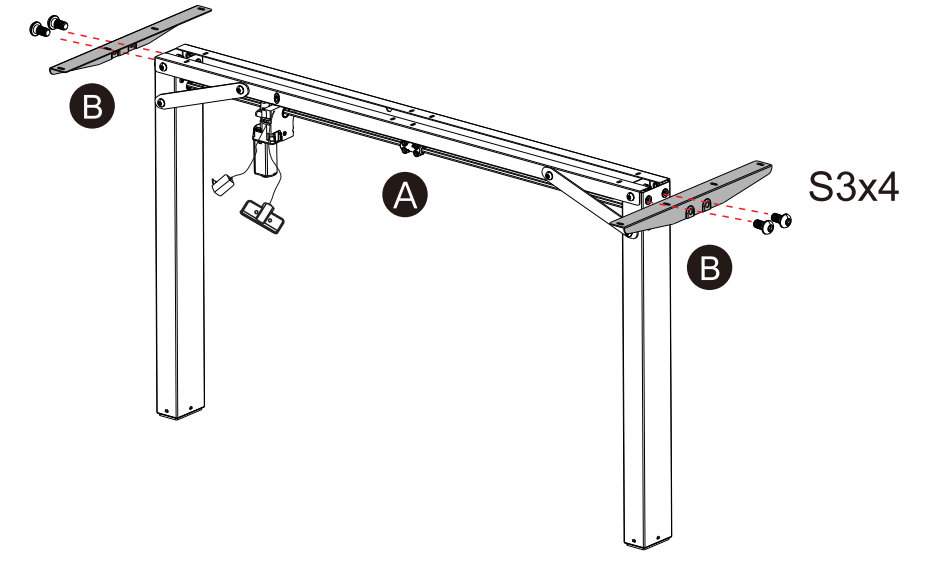
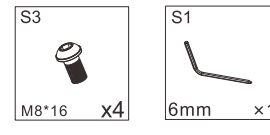
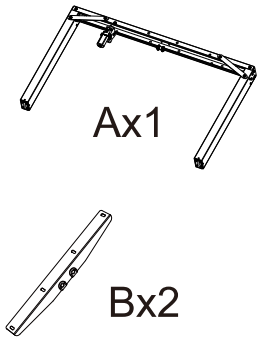


• PARTS ACCESSORIES

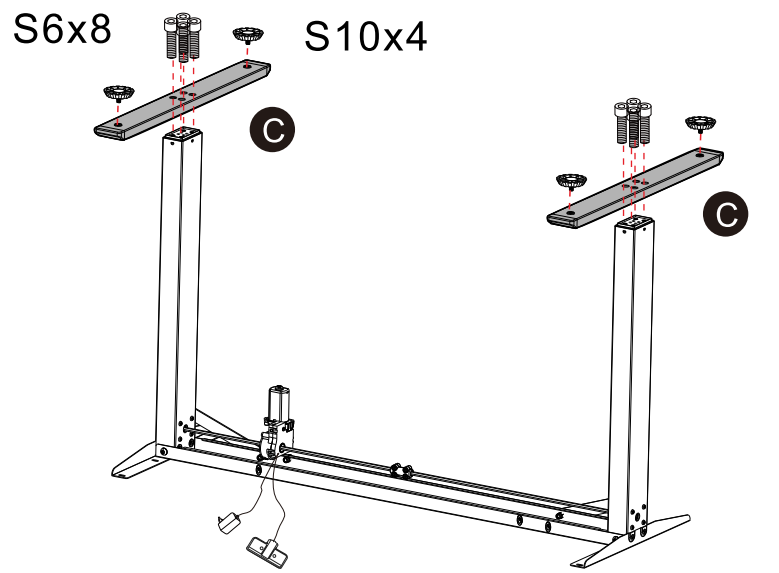
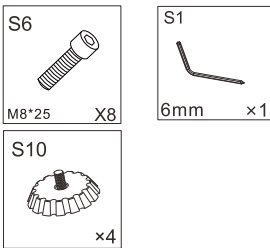
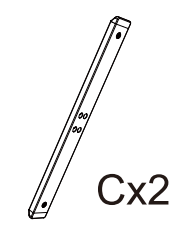


Kindly note that the two-piece tabletop depicted in this manual is purely for illustrative purposes and should be disregarded. Rest assured that the tabletop of your LiftMax is a single seamless piece.

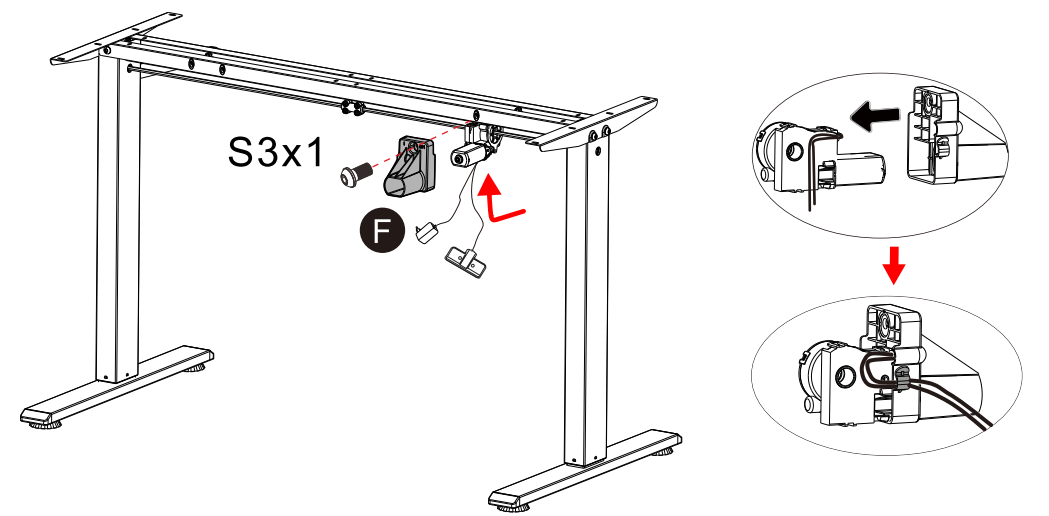
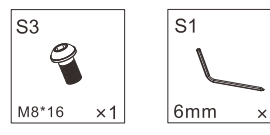
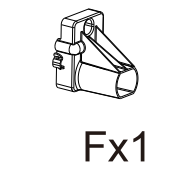
1



2

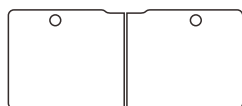


3



Please make sure the table legs are vertical to the connecting rod. And then tighten all the screws.

4



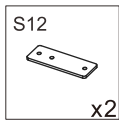
E



Q



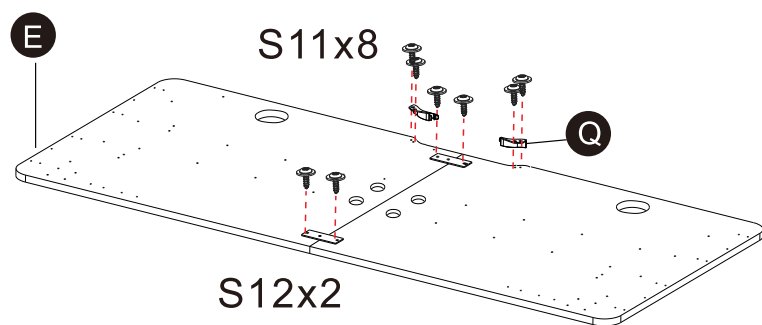
M4*14 x8



x2

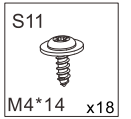
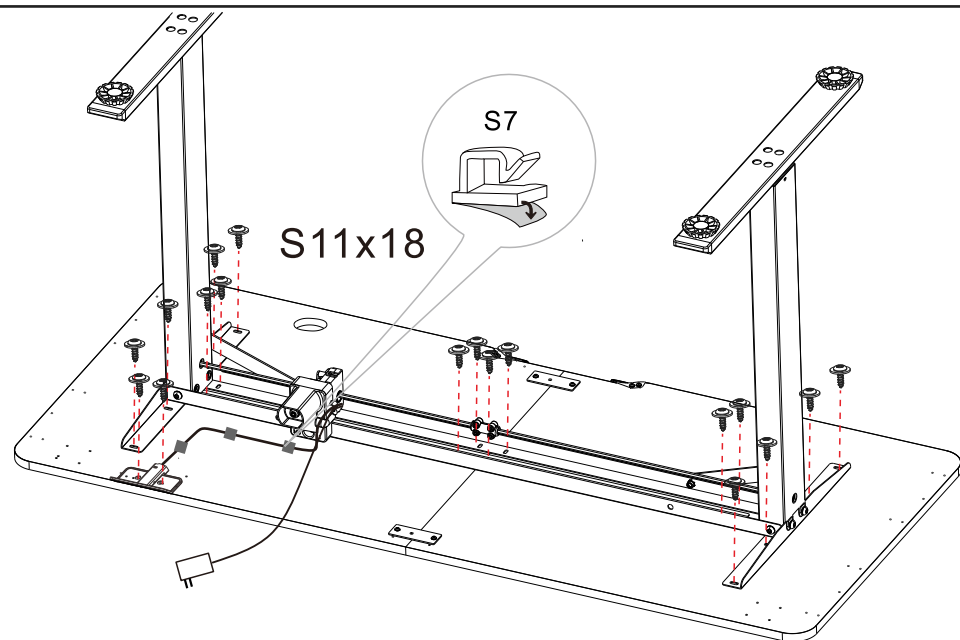


6mm x1

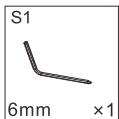


Please make sure the two boards are aligned and seamless and then tighten the screws

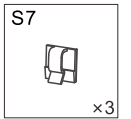
5



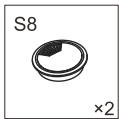
M4*14 x18



6mm x1

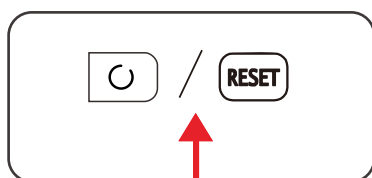
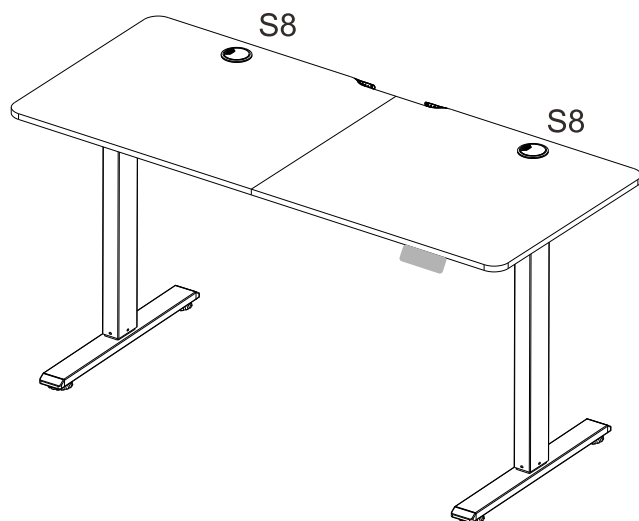



x3



x2

6



After the table is installed, please press the  key to start

The table will automatically drop to the lowest point, stay for 3 seconds, then rise to the highest point, and finally return to the initial position - successful installation

Instruction Manual



Up: Up button



RST:Reset button



Stand: Saving button 1



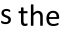

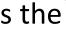
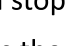


Down: Down button


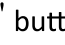

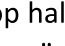


Sit: Saving button 2



Up and down button operation

- ◆ When the "" button is pressed, the desktop runs up until reaching the highest height.
- ◆ When the "" button is pressed, the desktop runs down until it reaches the lowest height.
- ◆ When press the "" or "" button, the desktop runs automatically.
- ◆ When press the "" button 3S, release the button, automatically reach the highest height, press any button can stop halfway.
- ◆ When press the "" button 3S, release the button, automatically reach the highest height, press any button can stop halfway.

Location Store/Memory Location operation

- ◆ Storage of standing position: press and hold "" button for 5 seconds, and the standing position is saved
- ◆ Storage of sitting position: press and hold "" button for 5 seconds, and the sitting position is saved
- ◆ Stand memory position operation: press the "" button, the desktop automatically run to the height of the memory position, and press any button can stop halfway.
- ◆ Sitting memory position operation: press the "" button, the desktop automatically run to the height of the memory position, and press any button can stop halfway.

Reset Operation:

- ◆ Press and hold " / " for 5 seconds, The table will automatically drop to the lowest point, stay for 5 seconds, then rise to the highest point, and finally return to the initial position

After the Installation of desk, pls execute this process first.

Main uses and applications: gaming, office, home.

Maintenance and repair:

When cleaning the table, use a soft towel dampened for scrubbing.

Regularly maintain the operation of the lift, once you find that the parts are loose or other abnormal, you need to promptly repair or remove and replacement.