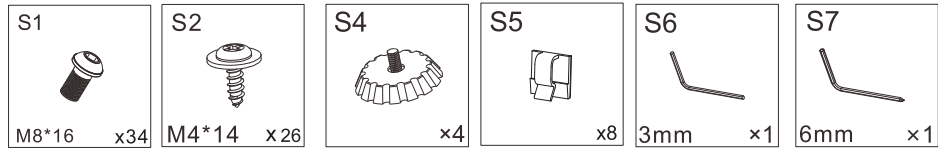
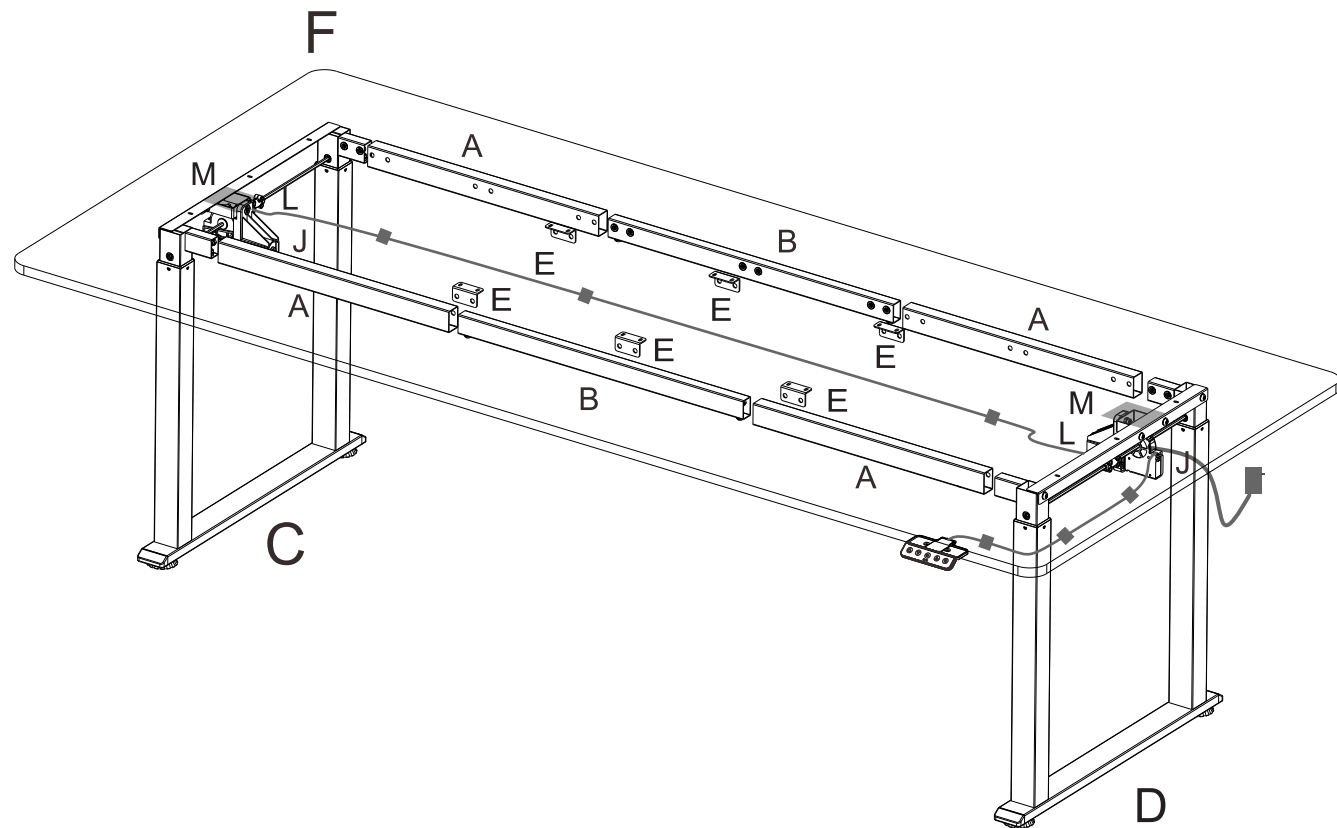
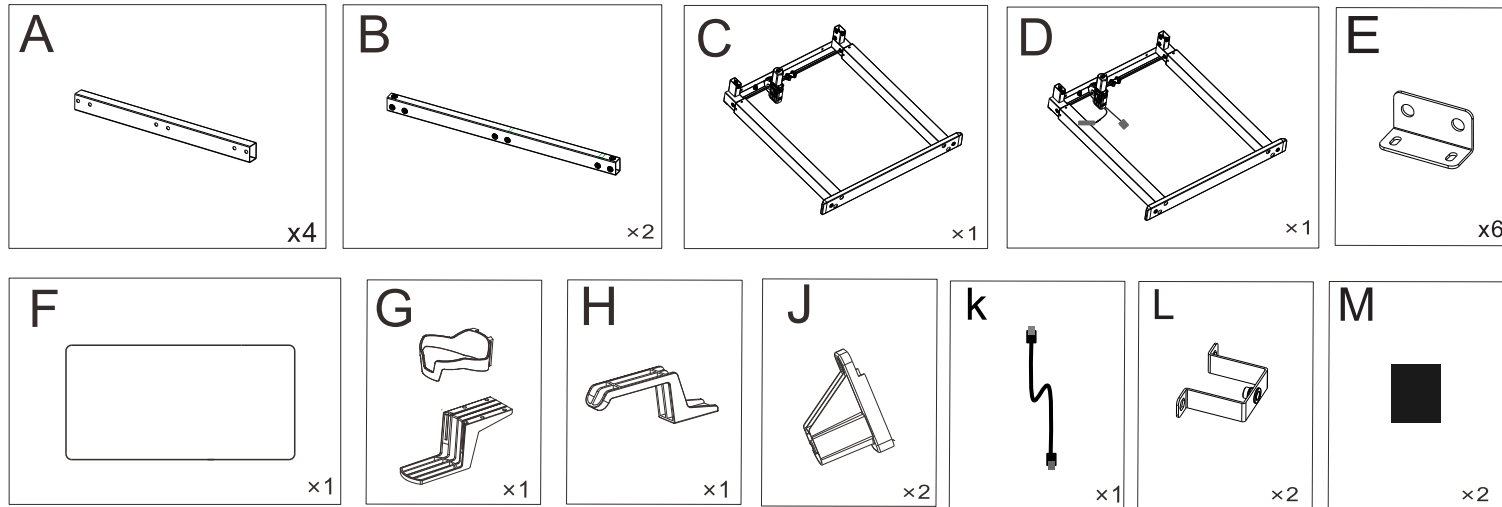


Assembly Instruction

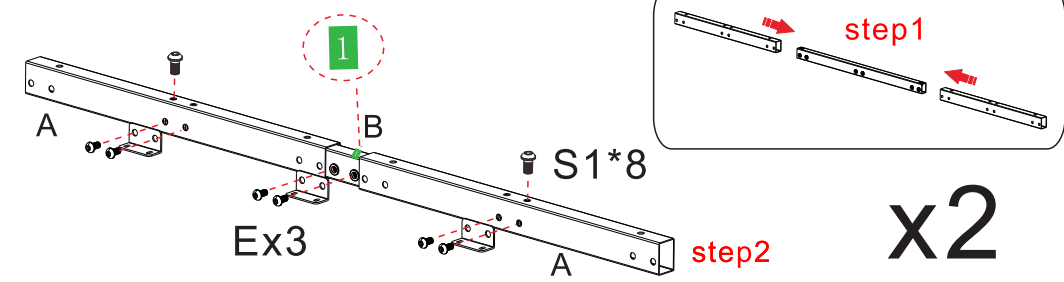
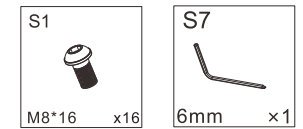
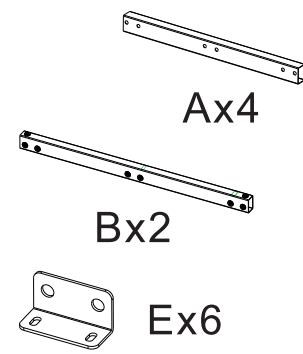
• SCREW ACCESSORIES



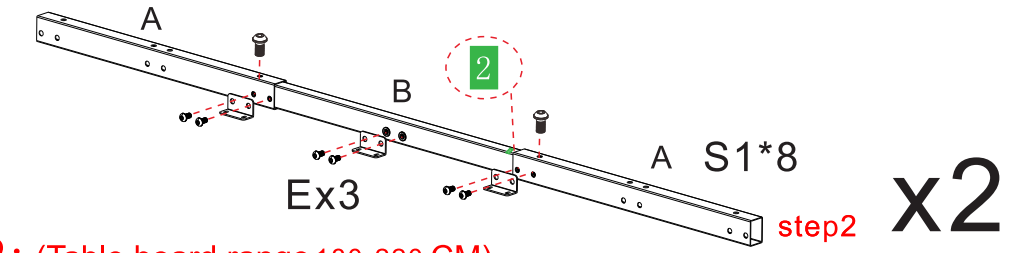
• PARTS ACCESSORIES



1

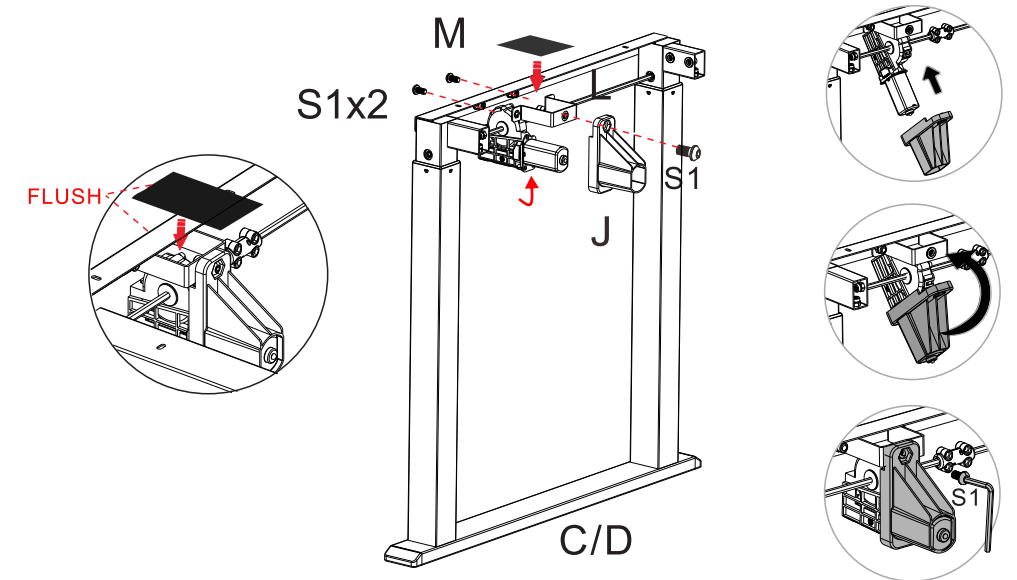
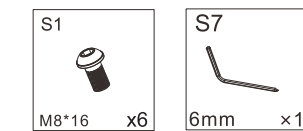
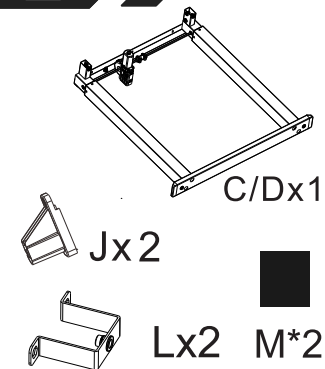


1: (Table board range 140-180 CM)

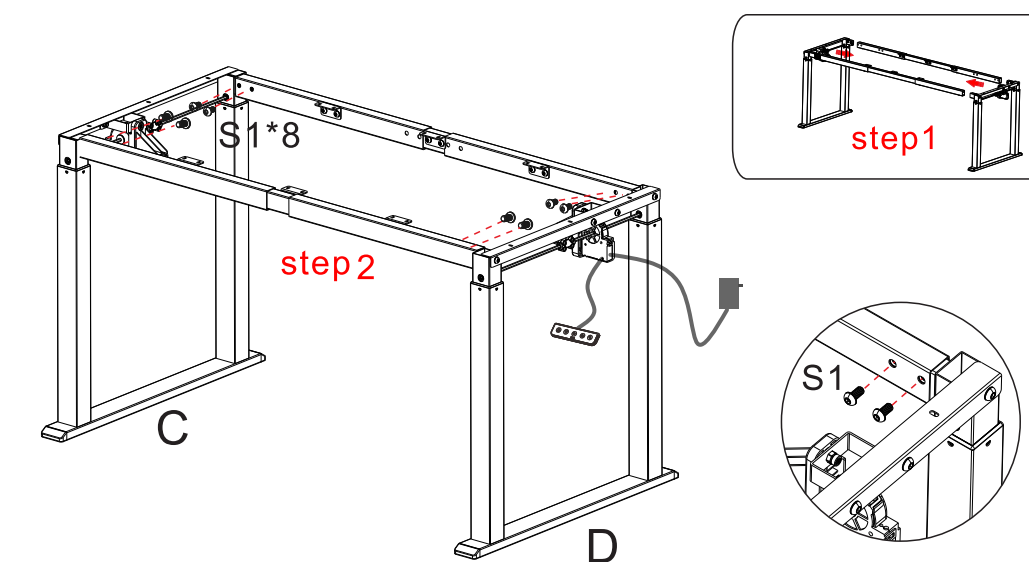
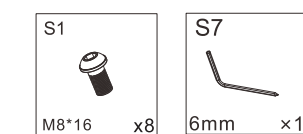


2: (Table board range 180-220 CM)

2

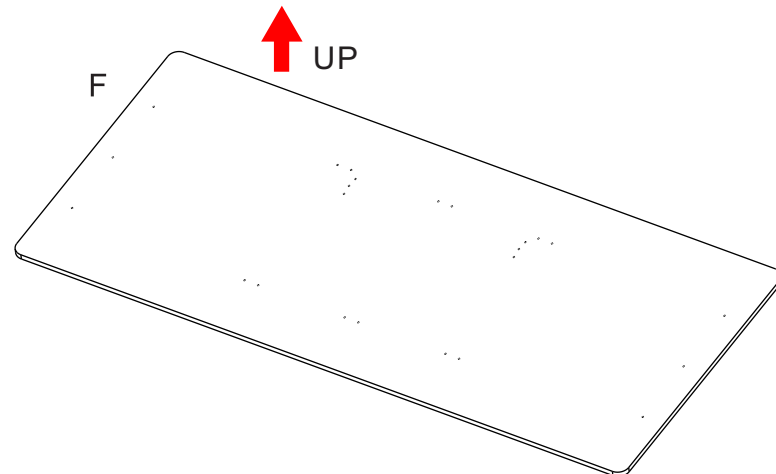


3



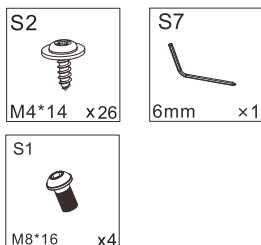
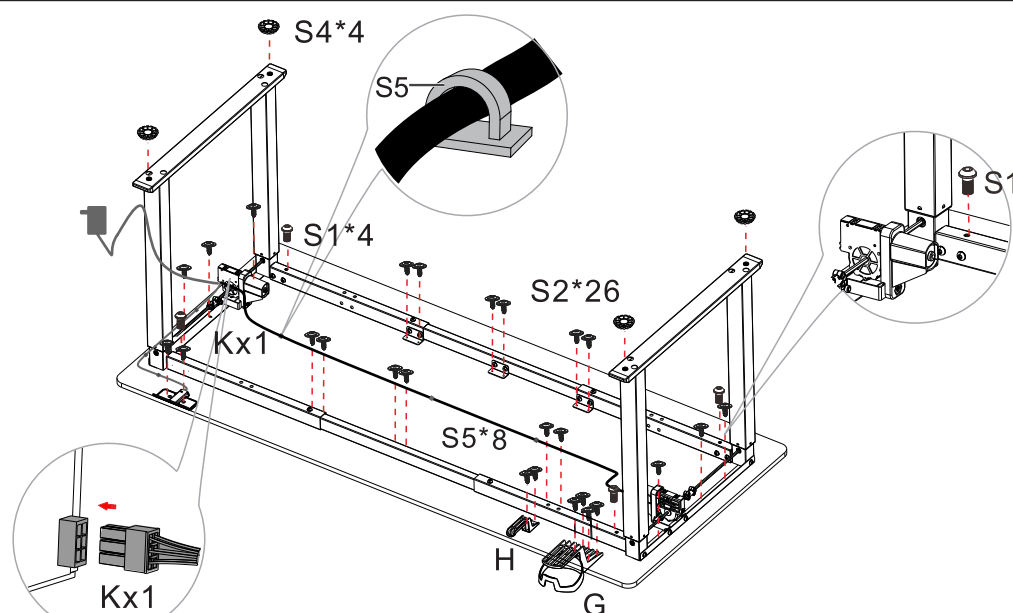
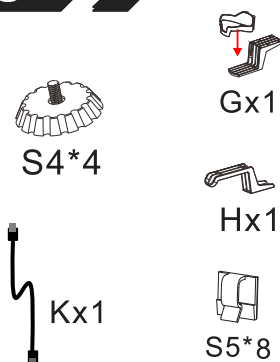
Please make sure the table legs are vertical to the connecting rod. And then tighten all the screws.

4

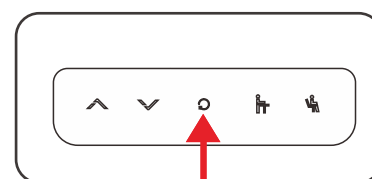
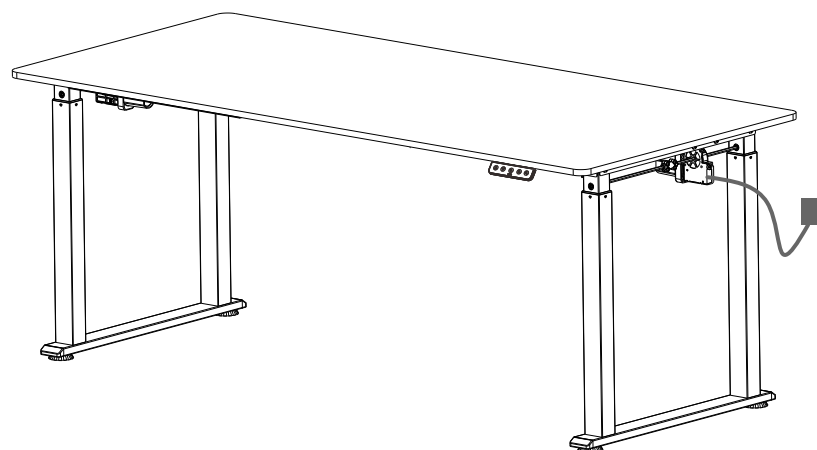



⚠ Lay the table top flat on the floor with the perforated side up

5



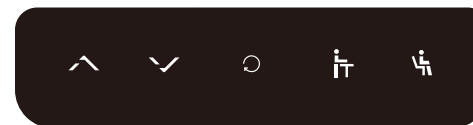
6








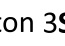
After the table is installed, please press the  key to start

The table will automatically drop to the lowest point, stay for 3 seconds, then rise to the highest point, and finally return to the initial position
- successful installation


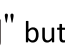

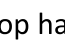
Instruction Manual




Up and down button operation

- ◆ When the "" button is pressed, the desktop runs up until reaching the highest height.
- ◆ When the "" button is pressed, the desktop runs down until it reaches the lowest height.
- ◆ When press the "" or "" button, the desktop runs automatically.
- ◆ When press the "" button 3S, release the button, automatically reach the highest height, press any button can stop halfway.
- ◆ When press the "" button 3S, release the button, automatically reach the highest height, press any button can stop halfway.

Location Store/Memory Location operation

- ◆ Storage of standing position: press and hold "" button for 5 seconds, and the standing position is saved
- ◆ Storage of sitting position: press and hold "" button for 5 seconds, and the sitting position is saved
- ◆ Stand memory position operation: press the "" button, the desktop automatically run to the height of the memory position, and press any button can stop halfway.
- ◆ Sitting memory position operation: press the "" button, the desktop automatically run to the height of the memory position, and press any button can stop halfway.

Reset Operation:

- ◆ Press and hold "" for 3 seconds, then release the button to enter reset mode. The desktop automatically down to find the lowest height, then after a 3-second pause, the desktop automatically moves up to find the highest height, pause for another 3 seconds. In the end, the desktop will automatically run down to the fixed position, and the reset process is over.

After the Installation of desk, pls execute this process first.